

XS1M30MB250K

Inductive proximity sensors XS, inductive sensor XS1 M30, L72mm, brass, Sn10mm, 24...240VAC/DC, 1/2"



Product availability: Non-Stock - Not normally stocked in distribution facility

Price*: 238.71 USD



Main

| | |
|------------------------------------|--|
| Range of product | Telemecanique Inductive proximity sensors XS |
| Series name | General purpose |
| Sensor type | Inductive proximity sensor |
| Wiring configuration | 2-wire |
| Output circuit type | AC/DC |
| Protection type | Short-circuit protection multi voltage |
| Device application | 2-wire DC short-circuit protection |
| Sensor name | XS1 |
| Sensor design | Cylindrical M30 |
| Size | 72 mm |
| Body type | Fixed |
| Detector flush mounting acceptance | Flush mountable |
| Material | Metal |
| Type of output signal | Discrete |
| Wiring technique | 2-wire |
| [Sn] nominal sensing distance | 0.39 ln (10 mm) |
| Discrete output function | 1 NC |
| Electrical connection | Male connector 1/2"20 UNF, 3 pins |
| [Us] rated supply voltage | 24...210 V DC 24...240 V AC 50/60 Hz |
| Switching capacity in mA | 5...300 mA AC overload and short-circuit protection 5...200 mA DC overload and short-circuit protection |
| IP degree of protection | IP67 conforming to IEC 60529 |

The information provided in this documentation contains general descriptions and/or technical characteristics of the performance of the products contained herein. This documentation is not intended as a substitute for and is not to be used for determining suitability or reliability of these products for specific user applications. It is the duty of any such user or integrator to perform the appropriate and complete risk analysis, evaluation and testing of the products with respect to the relevant specific application or use thereof. Neither Schneider Electric Industries SAS nor any of its affiliates or subsidiaries shall be responsible or liable for misuse of the information contained herein. *Prices are indicative

Complementary

| | |
|--------------------------|--|
| Thread type | M30 x 1.5 |
| Detection face | Frontal |
| Front material | PPS |
| Enclosure material | Nickel Plated Brass |
| Operating zone | 0.00...0.31 In (0...8 mm) |
| Differential travel | 1...15% of Sr |
| Status LED | Output state: 1 LED (yellow) Supply on: 1 LED (green) |
| Supply voltage limits | 20...264 V AC/DC |
| Maximum residual current | 1.5 MA open state |
| Switching frequency | <= 2000 Hz DC <= 25 Hz AC |
| Maximum voltage drop | <5.5 V closed state) |
| Maximum delay first up | 70 Ms |
| Maximum delay response | 2 Ms |
| Maximum delay recovery | 5 Ms |
| Marking | CE |
| Threaded length | 2.01 In (51 mm) |
| Length | 2.83 In (72 mm) |
| Net weight | 0.32 Lb(US) (0.145 kg) |

Environment

| | |
|---------------------------------------|---|
| Product certifications | CSA CCC UL |
| Ambient air temperature for operation | -13...158 °F (-25...70 °C) |
| Ambient air temperature for storage | -40...185 °F (-40...85 °C) |
| Vibration resistance | 25 gn +/- 2 mm 10...55 Hz)IEC 60068-2-6 |
| Shock resistance | 50 gn 11 ms IEC 60068-2-7 |

Ordering and shipping details

| | |
|-----------------------|----------------------------|
| Category | 22486 - SENSORS, PROXIMITY |
| Discount Schedule | DS2 |
| GTIN | 03389110916157 |
| Nbr. of units in pkg. | 1 |
| Package weight(Lbs) | 6.35 Oz (180 g) |
| Returnability | No |
| Country of origin | FR |

Packing Units

| | |
|------------------------|------------------|
| Unit Type of Package 1 | PCE |
| Package 1 Height | 1.77 In (4.5 cm) |
| Package 1 width | 2.83 In (7.2 cm) |
| Package 1 Length | 3.15 In (8 cm) |

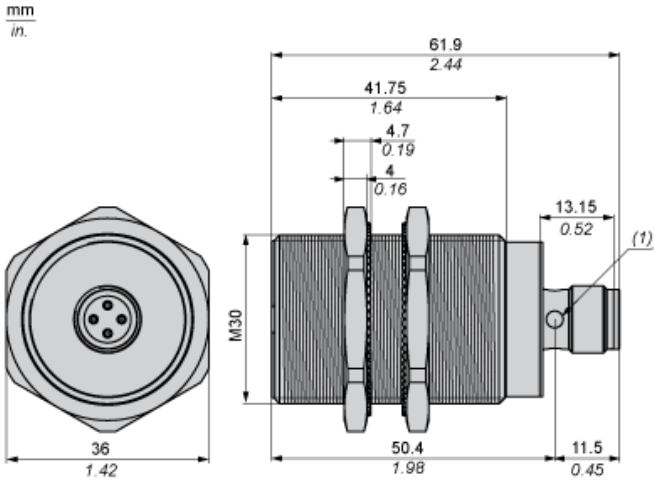
Offer Sustainability

| | |
|----------------------------|--|
| Sustainable offer status | Green Premium product |
| California proposition 65 | WARNING: This product can expose you to chemicals including: Diisononyl phthalate (DINP), which is known to the State of California to cause cancer, and Diisodecyl phthalate (DIDP), which is known to the State of California to cause birth defects or other reproductive harm. For more information go to www.P65Warnings.ca.gov |
| REACH Regulation | REACH Declaration |
| EU RoHS Directive | Pro-active compliance (Product out of EU RoHS legal scope) EU RoHS Declaration |
| Mercury free | Yes |
| RoHS exemption information | Yes |
| Environmental Disclosure | Product Environmental Profile |
| Circularity Profile | End Of Life Information |

Contractual warranty

| | |
|----------|-----------|
| Warranty | 18 months |
|----------|-----------|

Dimensions



(1) LED

Minimum Mounting Distances

Side by side



$e (1) \geq 20 \text{ mm} / 0.79 \text{ in}$

Face to face



$e (2) \geq 20 \text{ mm} / 4.72 \text{ in}$

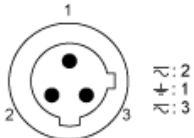
Facing a metal object



$e (3) \geq 20 \text{ mm} / 1.18 \text{ in}$.

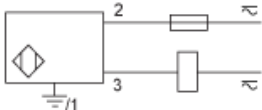
Wiring Schemes

1/2"-20UNF
1/2"-20UNF



- 1: Grounding
- 2: AC
- 3: AC

NC output



Performance Curves

Standard Steel Target : 30x30x1 mm



- (1) Pick-up points
- (2) Drop-out points (object approaching from the side)
- (y) Sensing distance in mm

Product Life Status : **Commercialised**